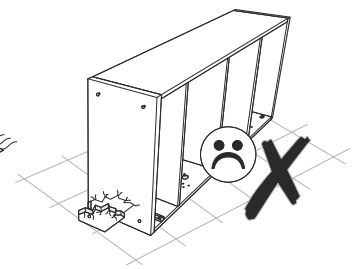
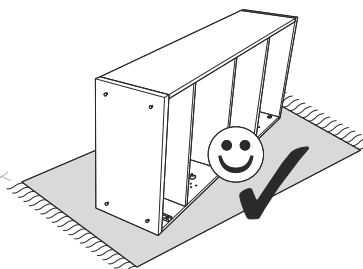
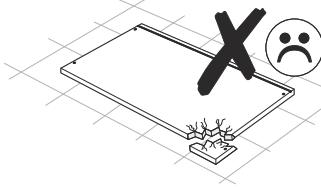
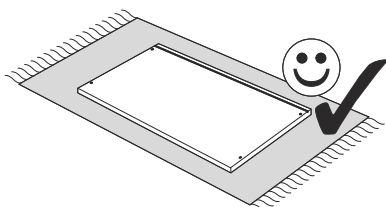
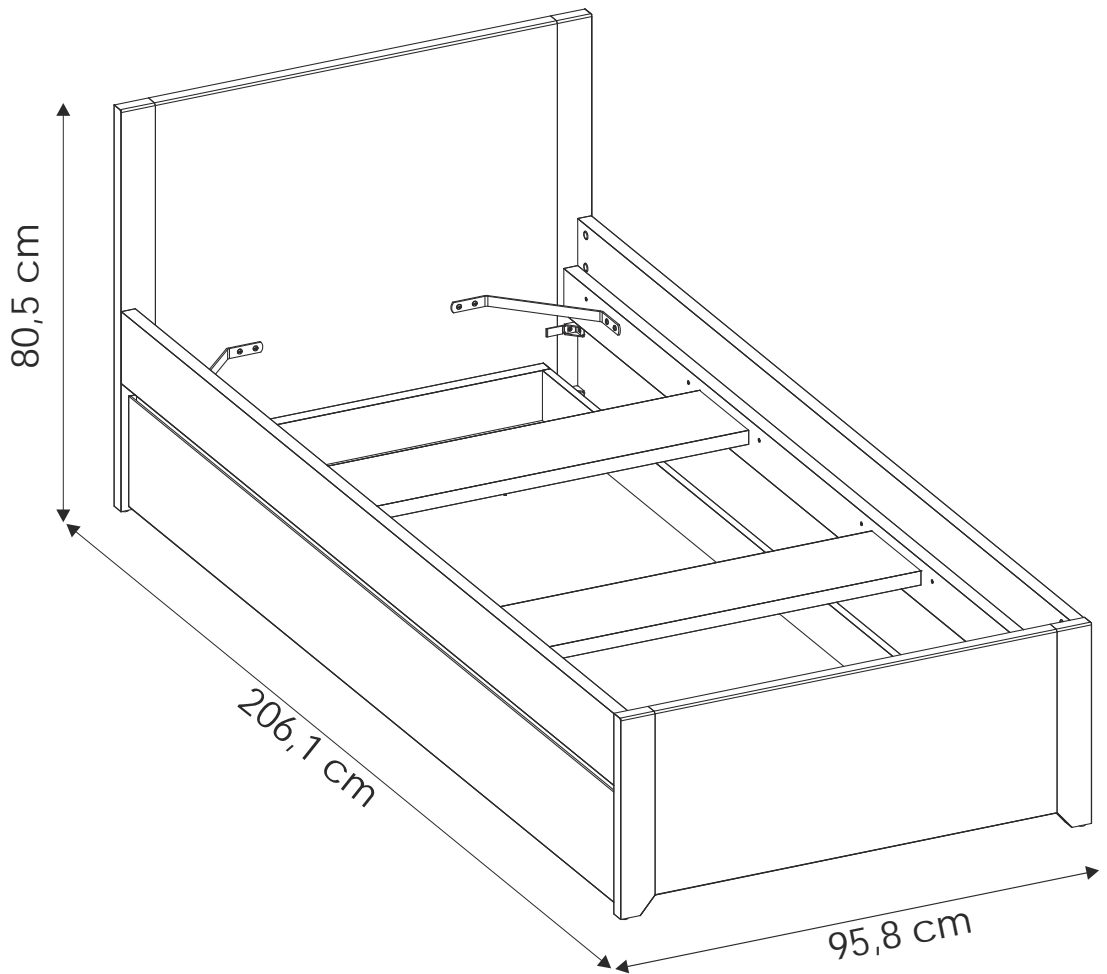
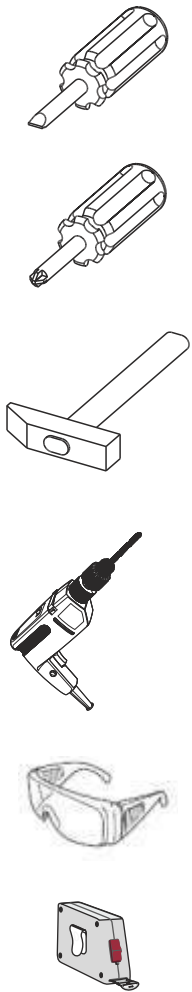
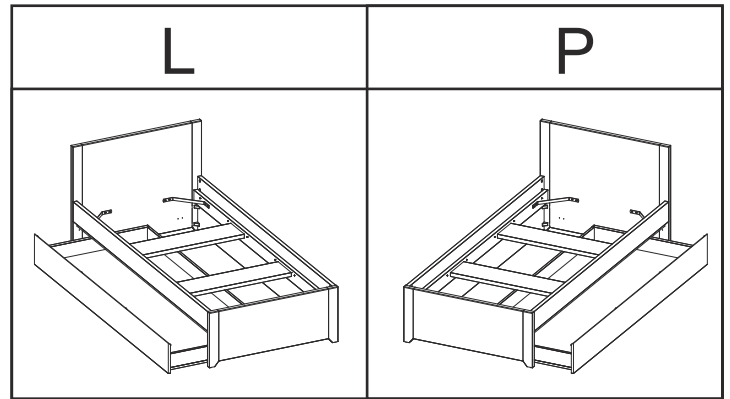
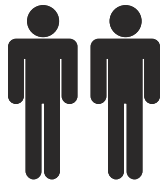
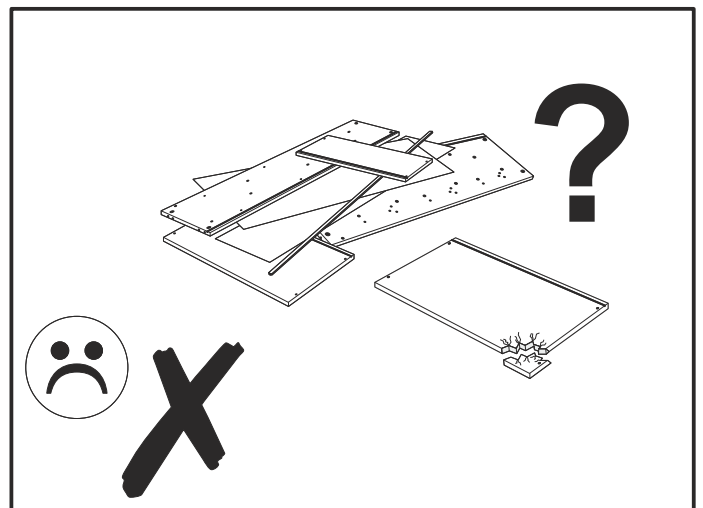
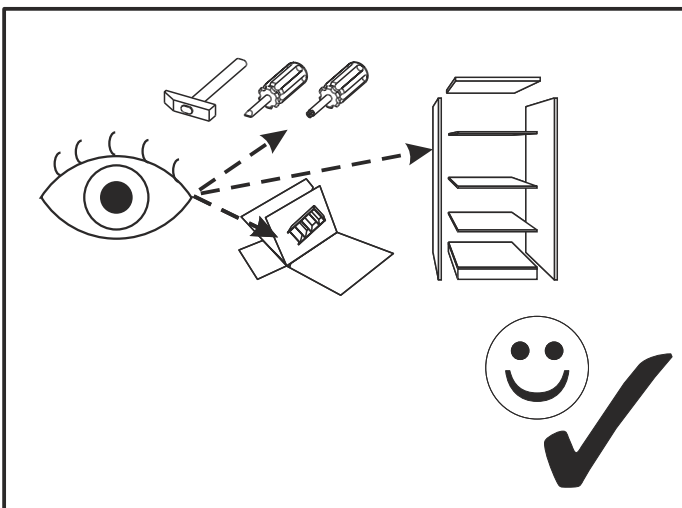
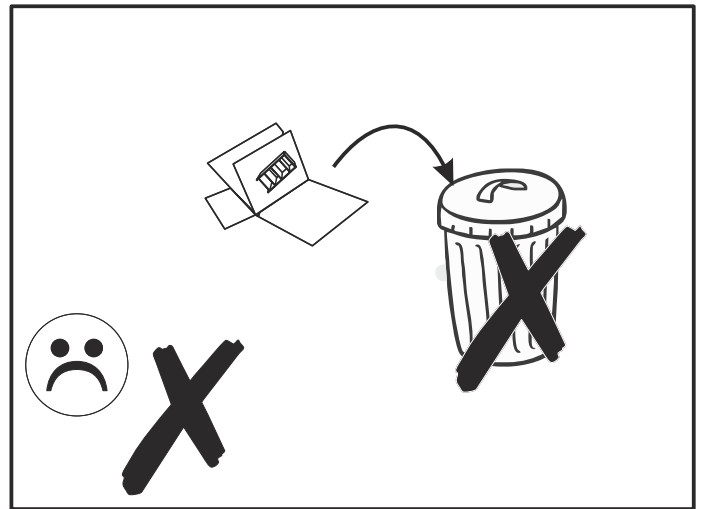
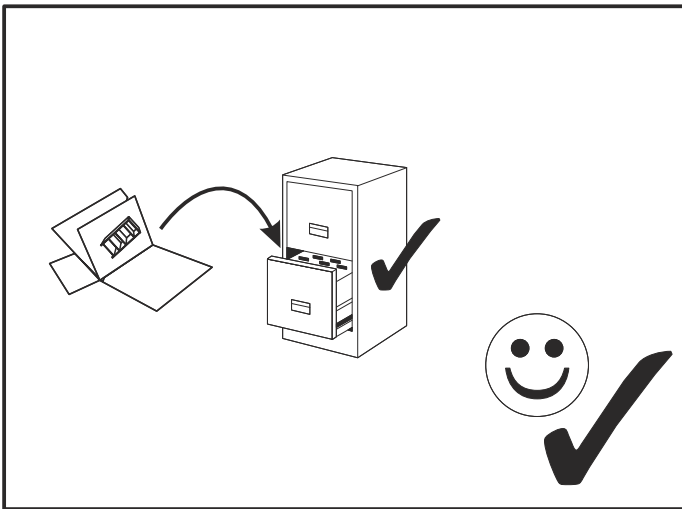
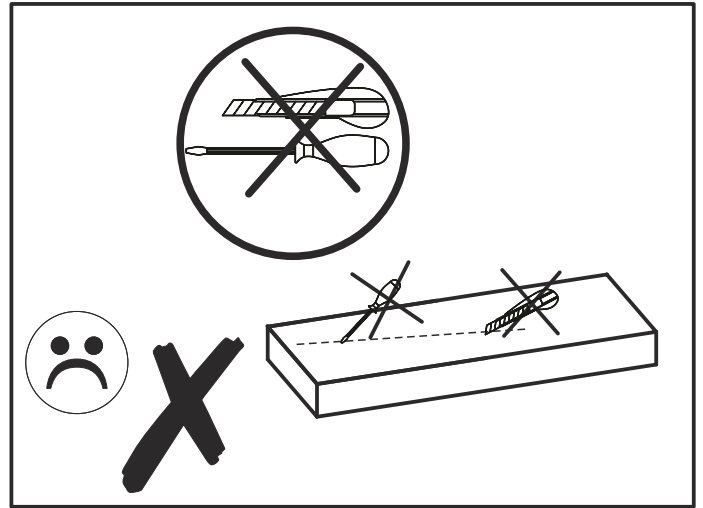
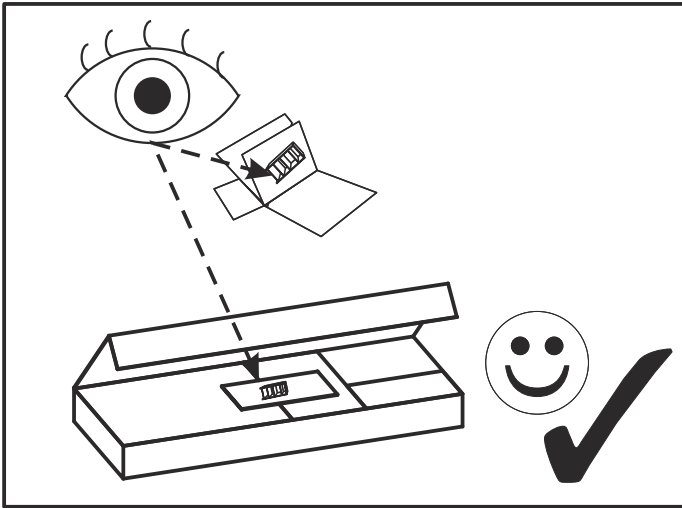
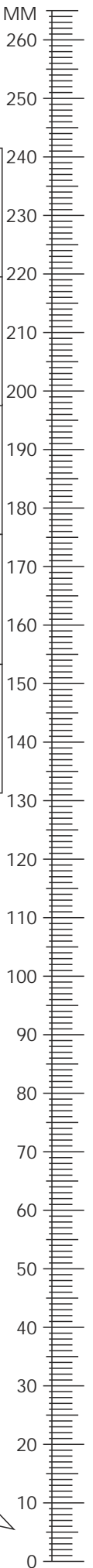




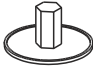

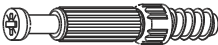

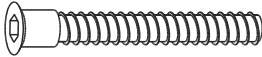

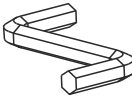




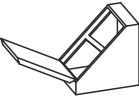

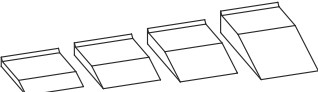
# ANGEL 90

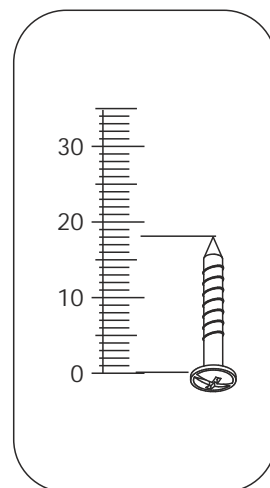




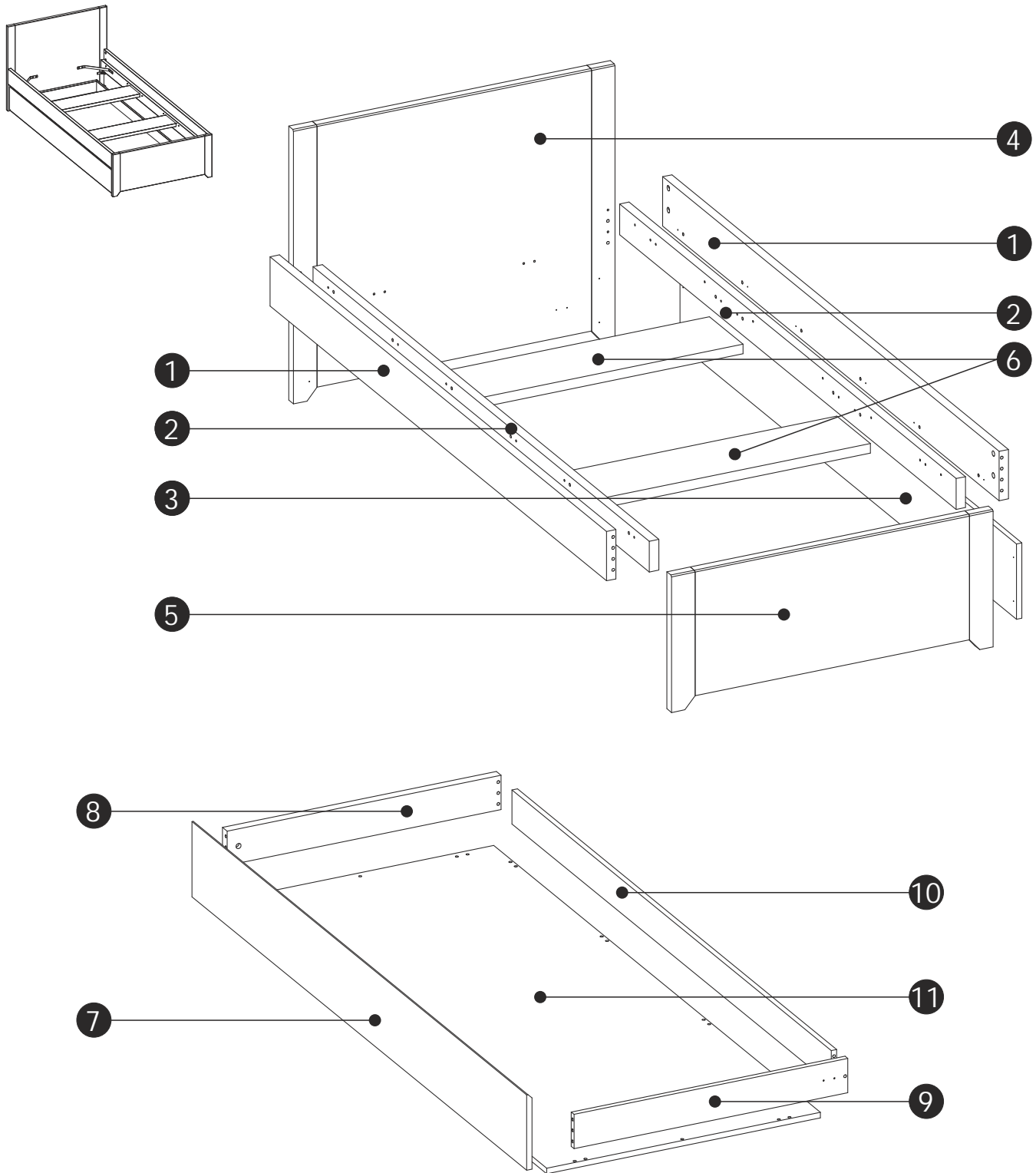
# ANGEL 90



<p><b>(A1)</b> x 48 o8 x 35 mm</p> 	<p><b>(C3)</b> x16 6,3 x 16 mm</p> 	<p><b>(E0)</b> x 22</p> 
<p><b>(E1)</b> x 22 o15 x 12 mm</p> 	<p><b>(F1)</b> x22</p> 	<p><b>(G0)</b> x 12</p> 
<p><b>(G1)</b> x12 f7 x 50 mm</p> 	<p><b>(I20)</b> x 12 4 x 50mm</p> 	<p><b>(M)</b> x 1</p> 
<p><b>(N2)</b> x 28 3,5 x 16 mm</p> 	<p><b>(O2)</b> x 4</p> 	<p><b>(O5)</b> x 10</p> 
<p><b>(R10)</b> x 4</p> 	<p><b>(W)</b> x 4</p> 	<p><b>(X4)</b> x 4</p> 
<p><b>(Z)</b> x 1</p> 		



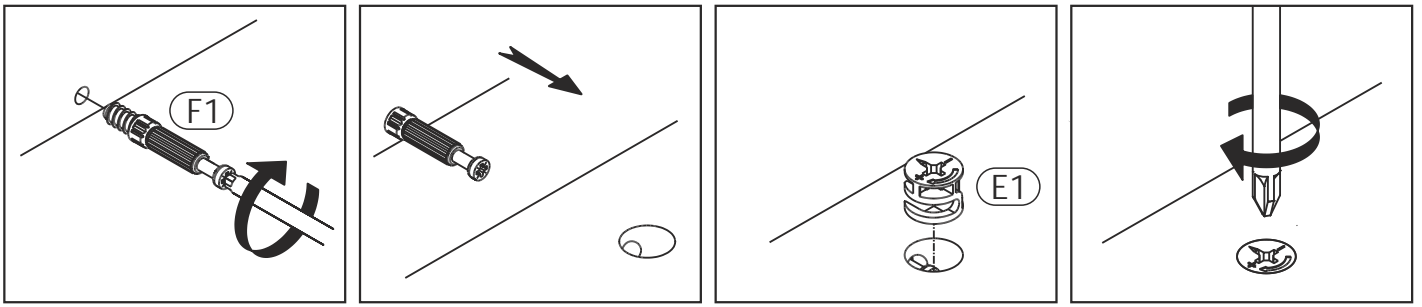
# ANGEL 90



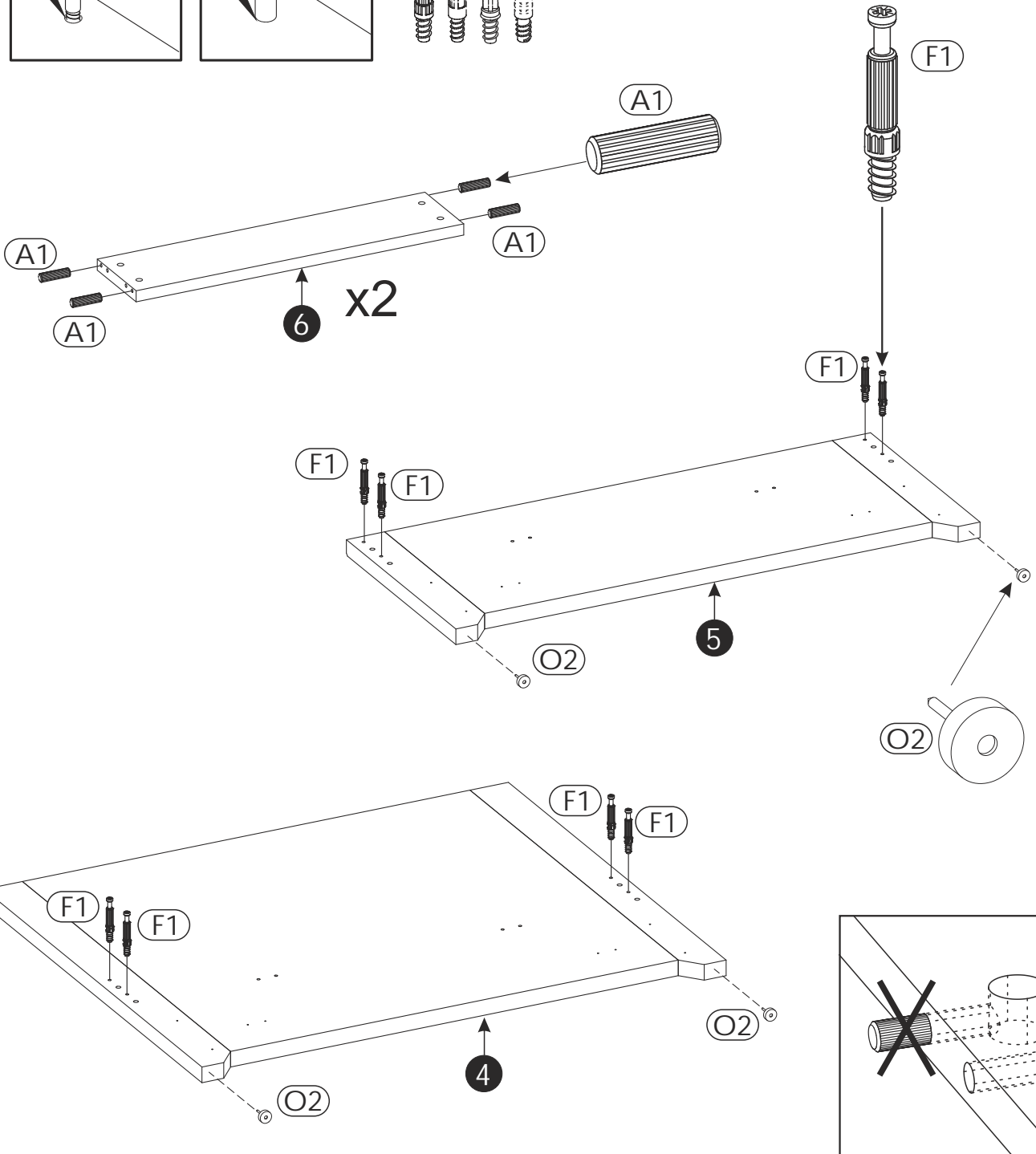
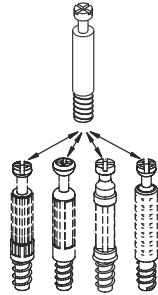
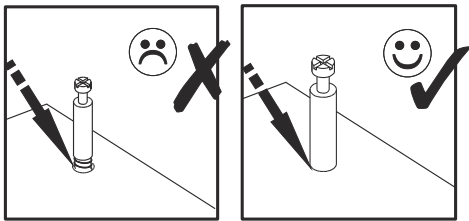
1	2005	144	28	x2	3/3
2	2005	90	28	x2	2/3
3	2005	220	16	x1	2/3
4	958	800	28	x1	1/3

5	958	400	28	x1	1/3
6	844	200	28	x2	1/3
7	1995	220	16	x1	2/3
8	816	100	28	x1	3/3

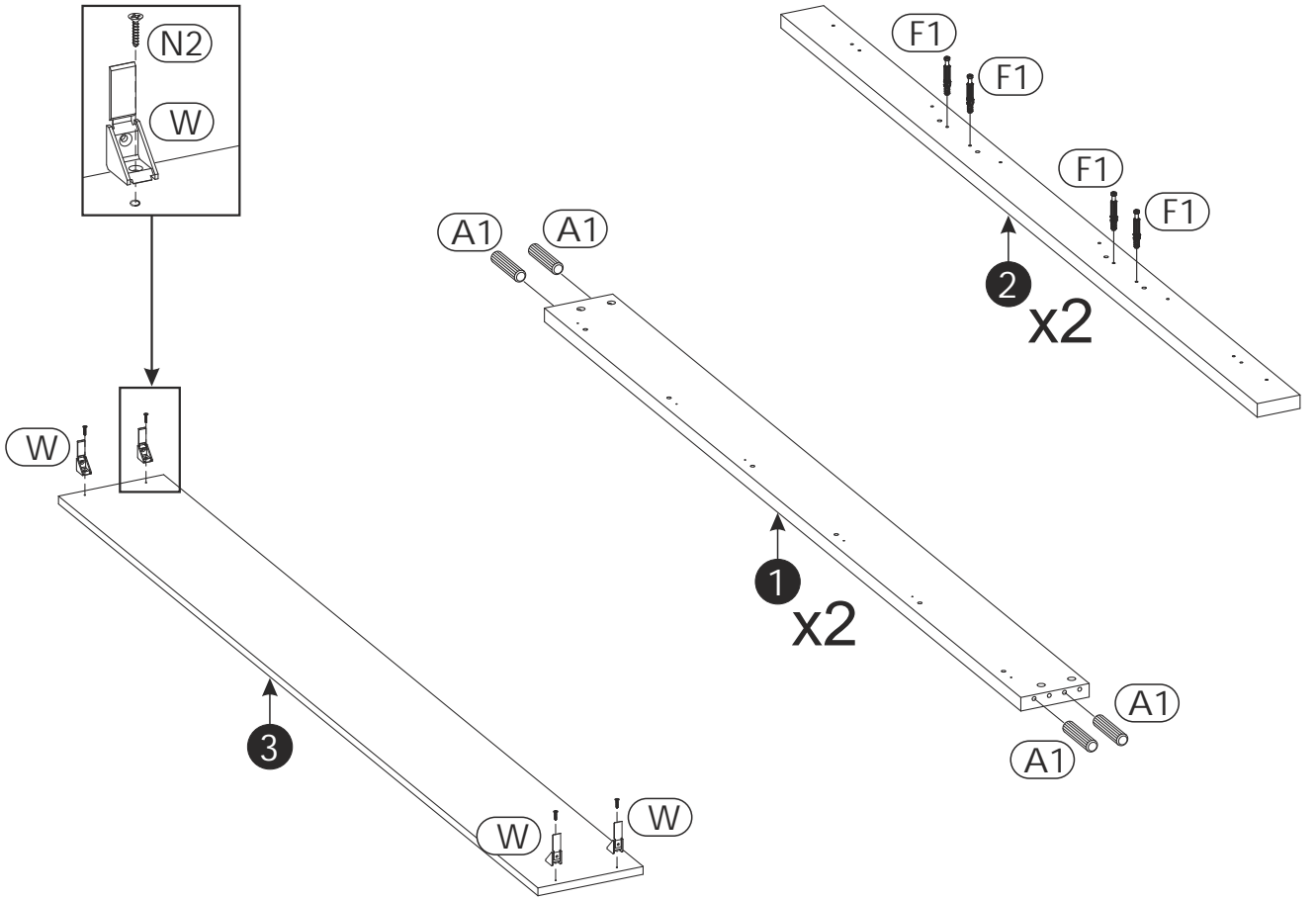
9	816	100	16	x1	2/3
10	1903	100	16	x1	2/3
11	1948	816	16	x1	3/3



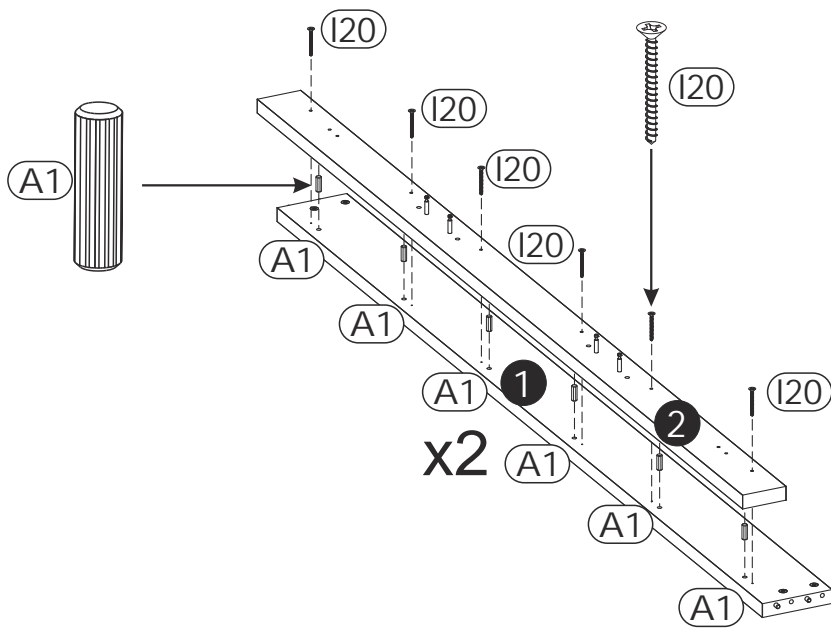
1 ▶



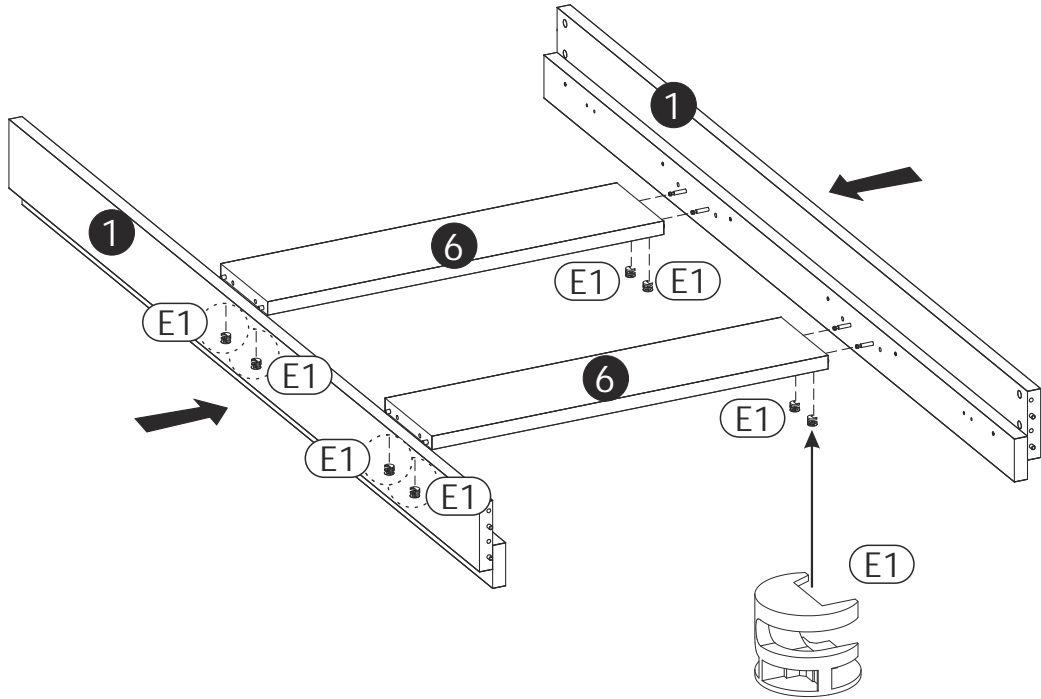
2 ▶



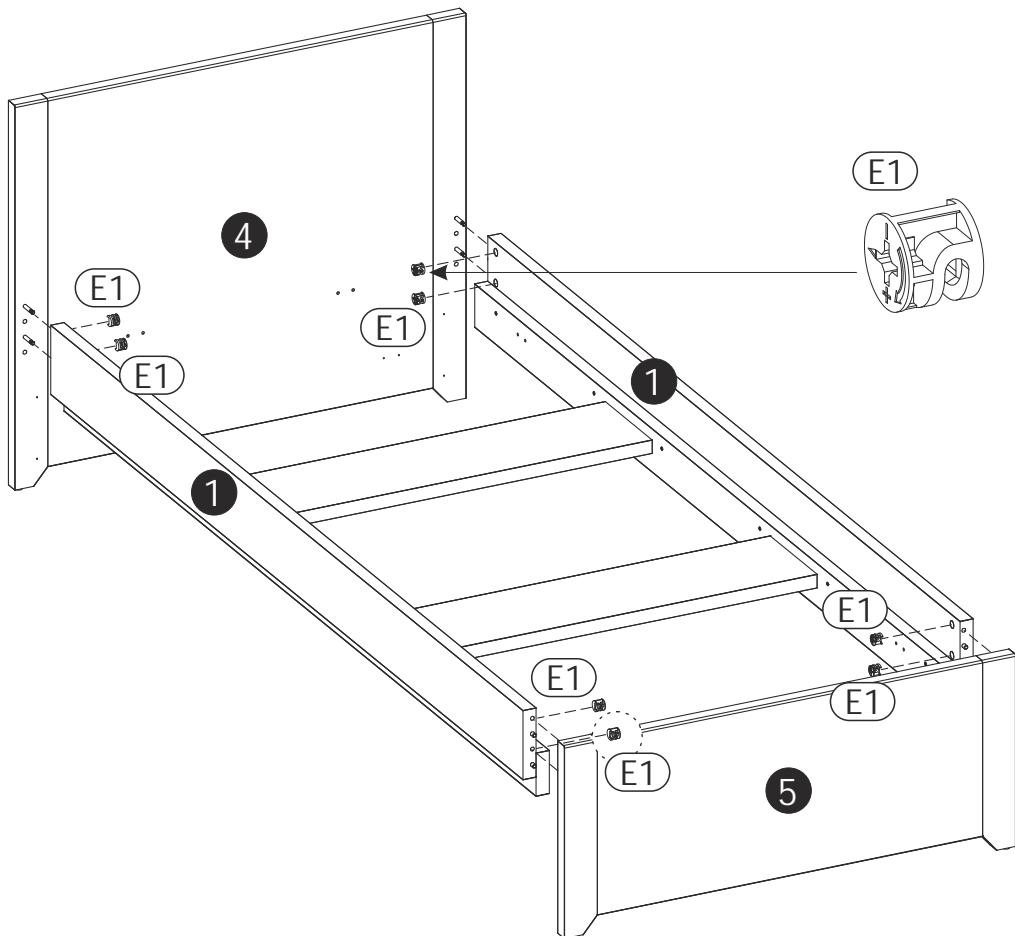
3 ▶



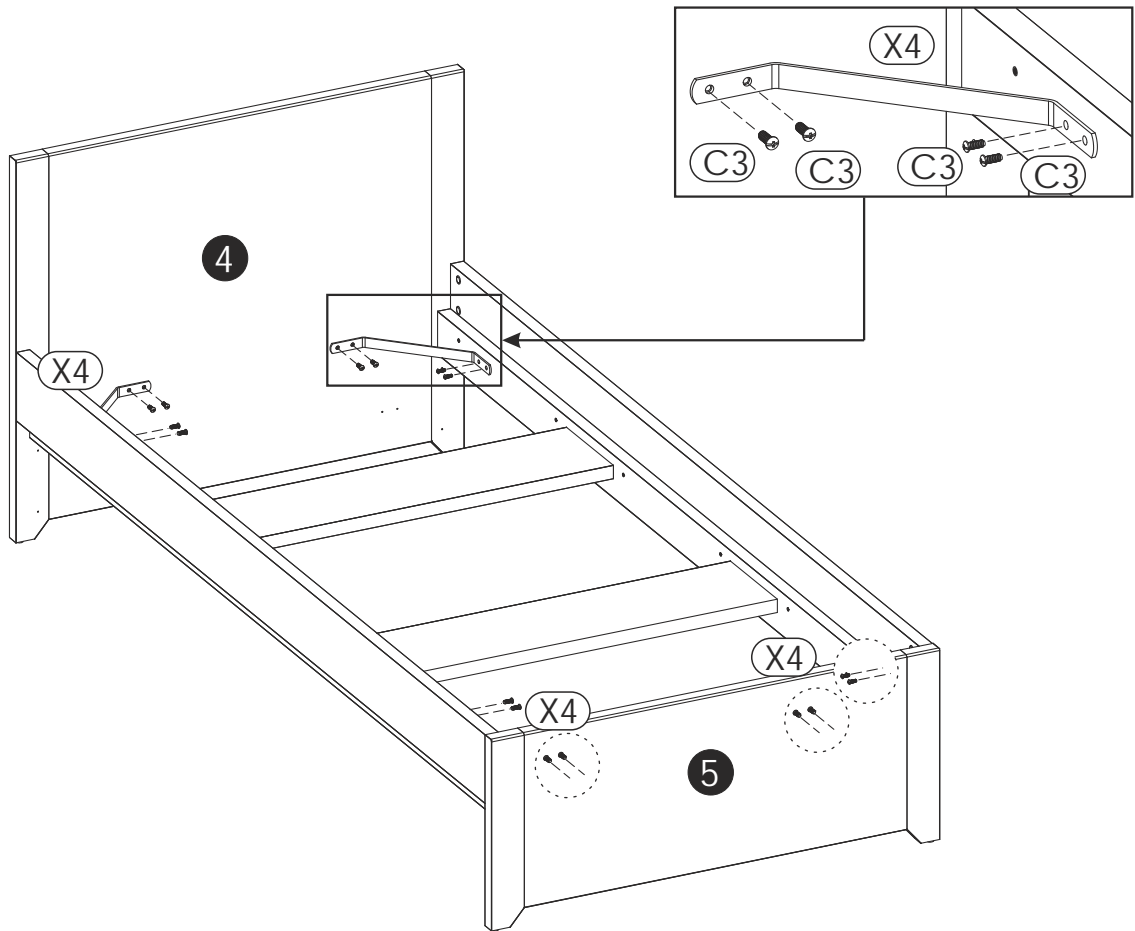
4 ▶



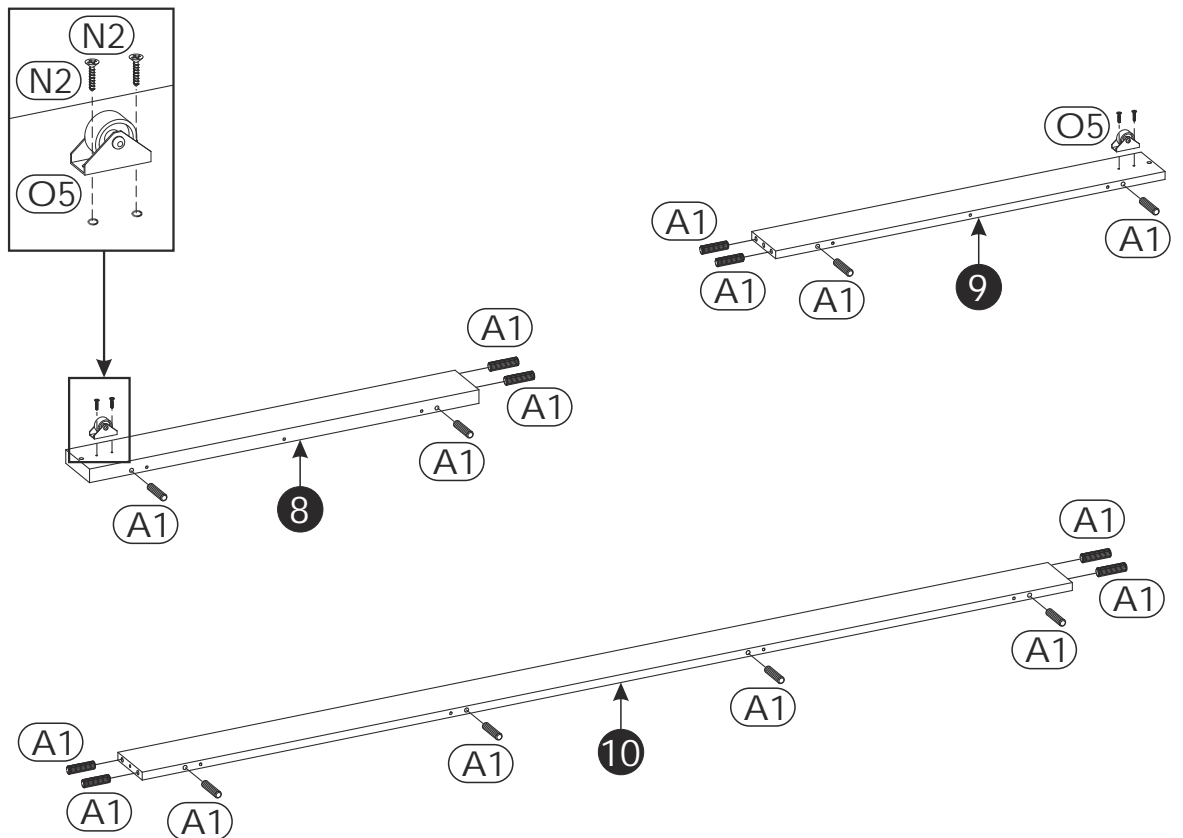
5 ▶



6 ▶

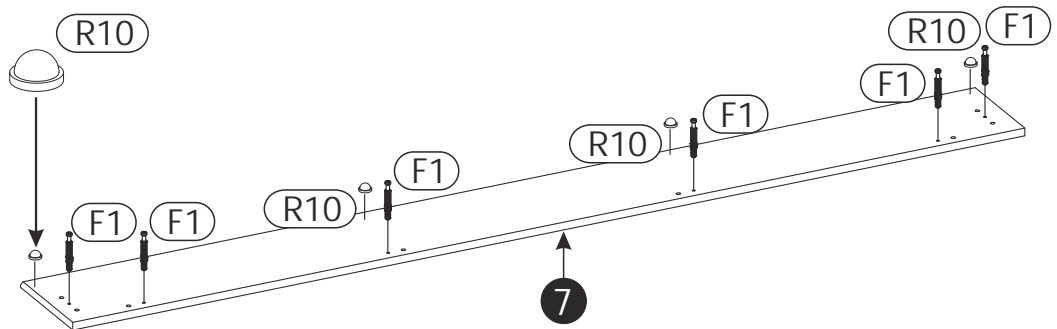
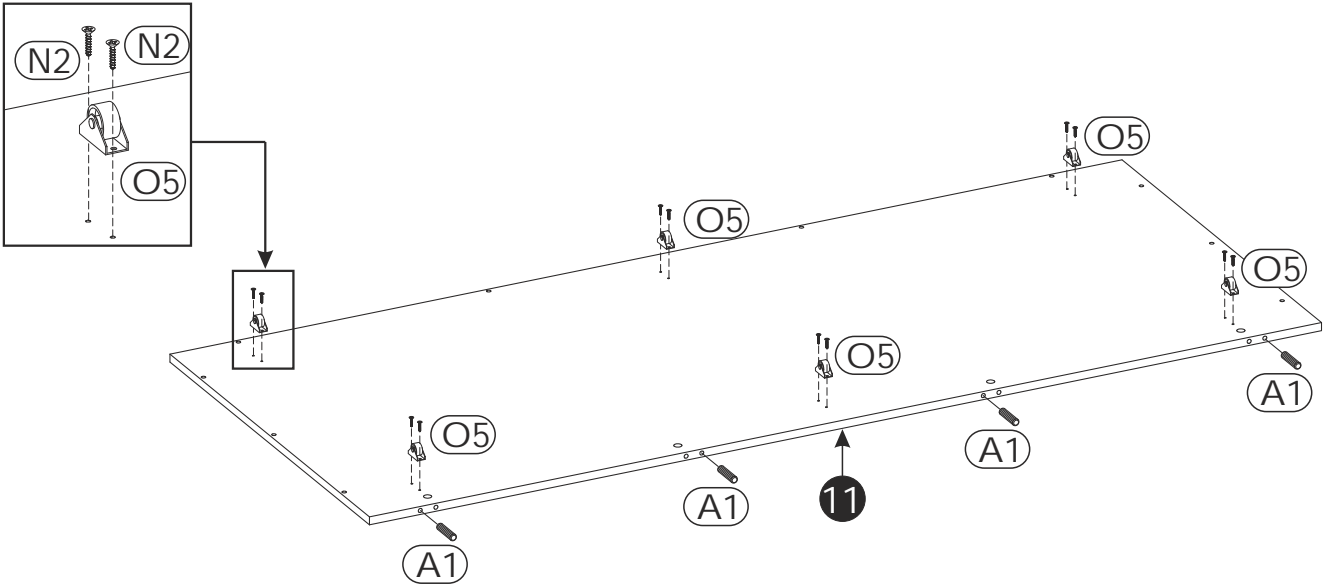


7 ▶

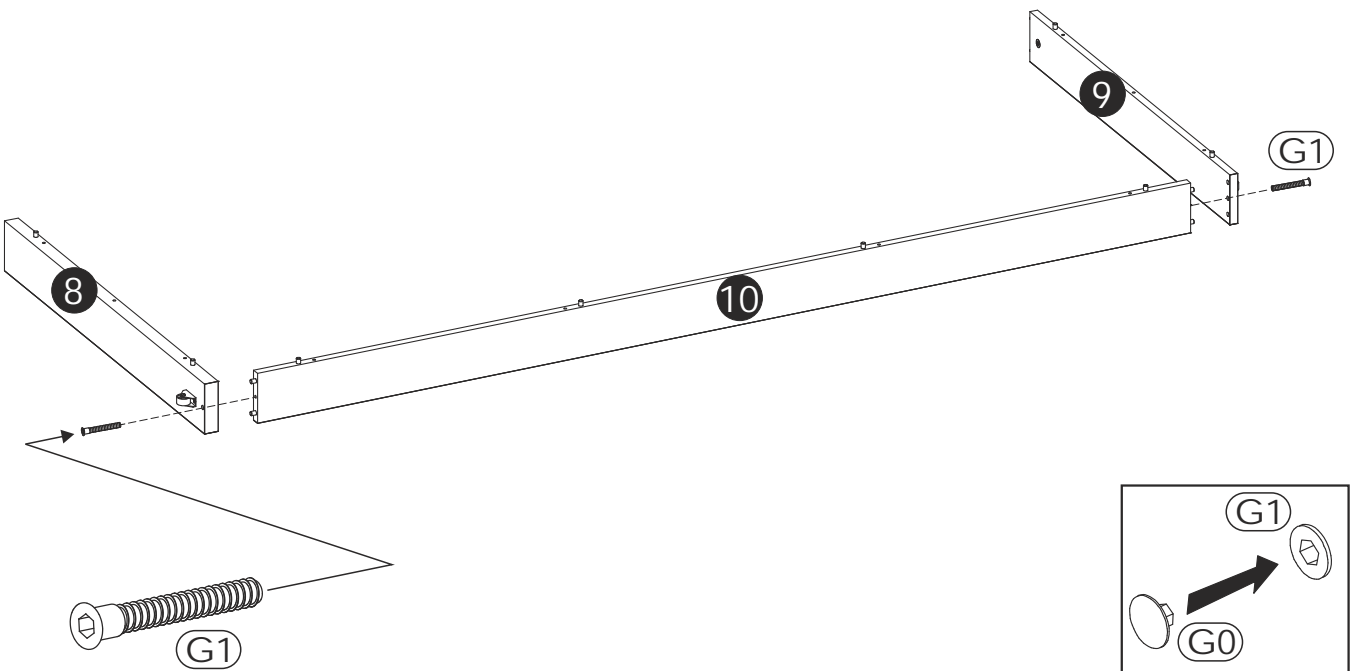




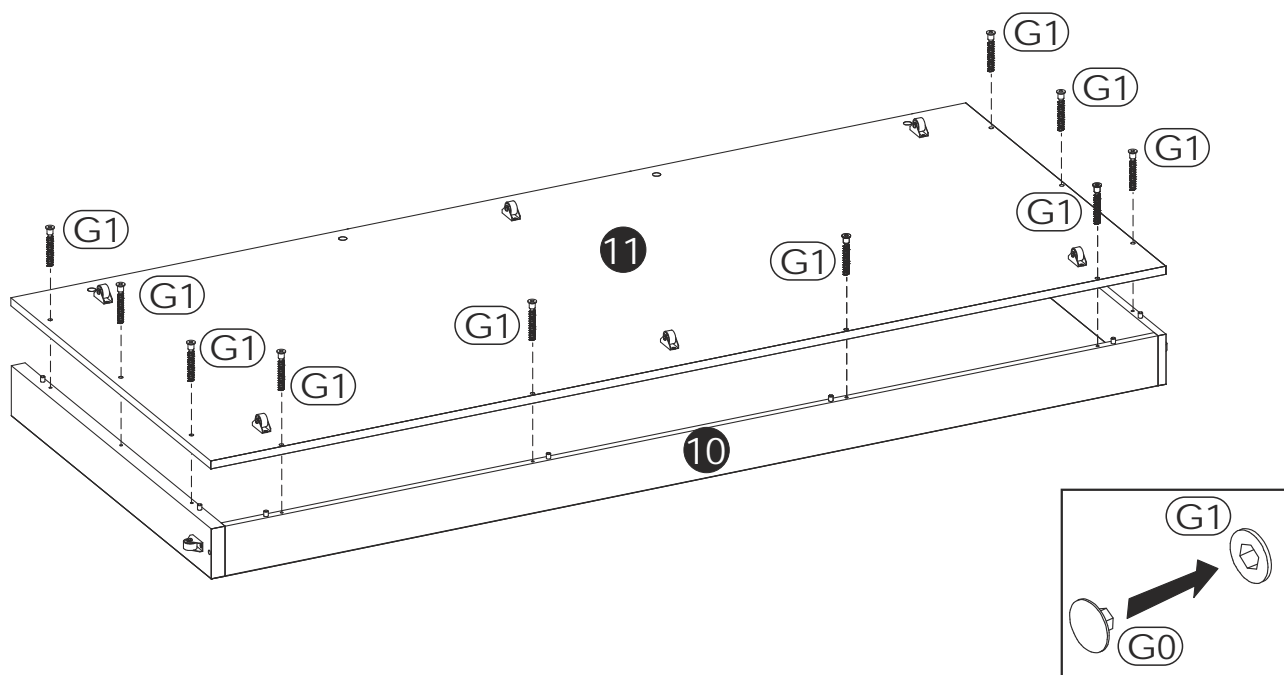
8 ▶



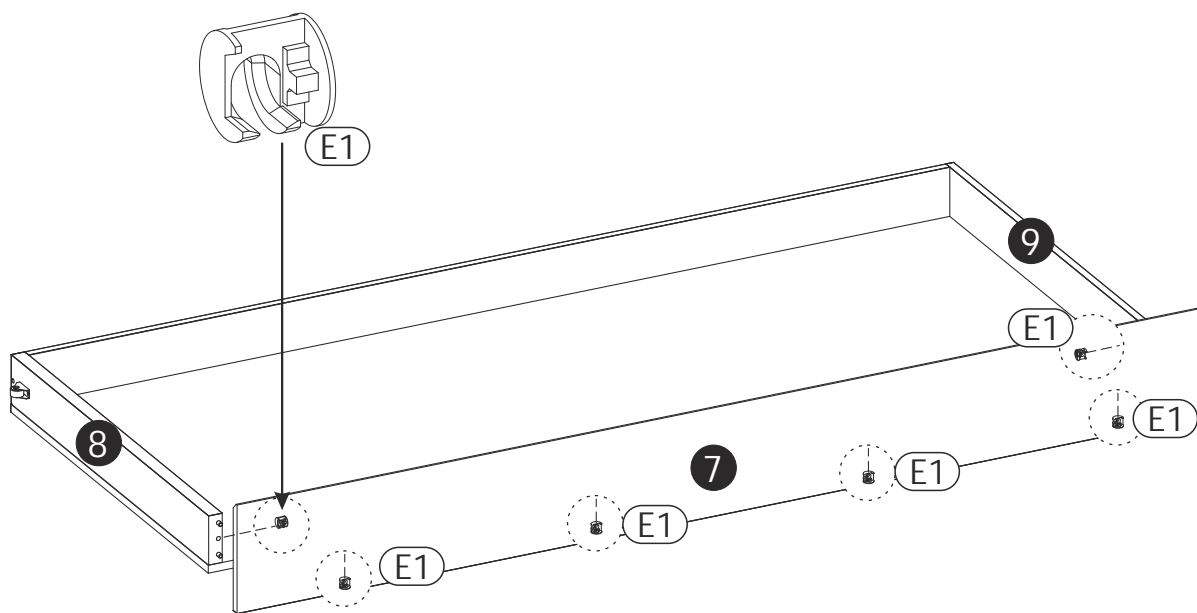
9 ▶



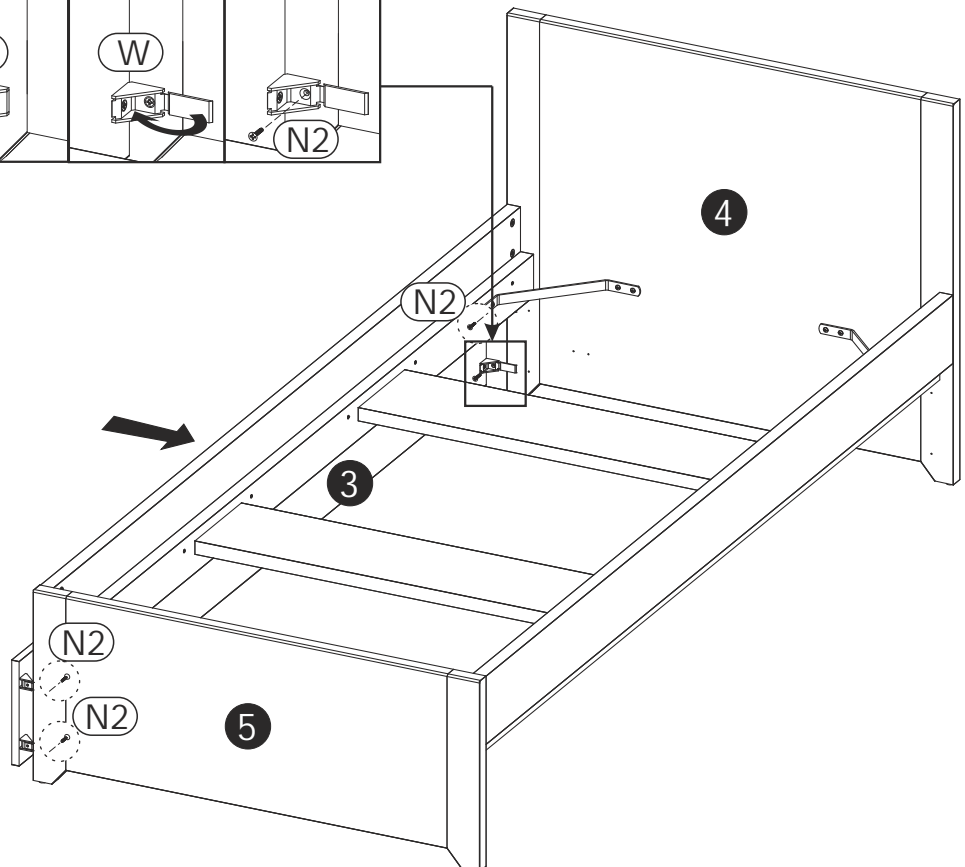
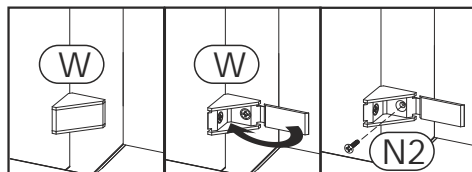
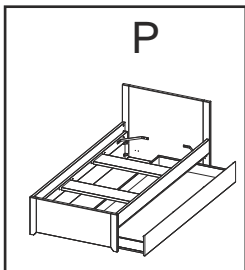
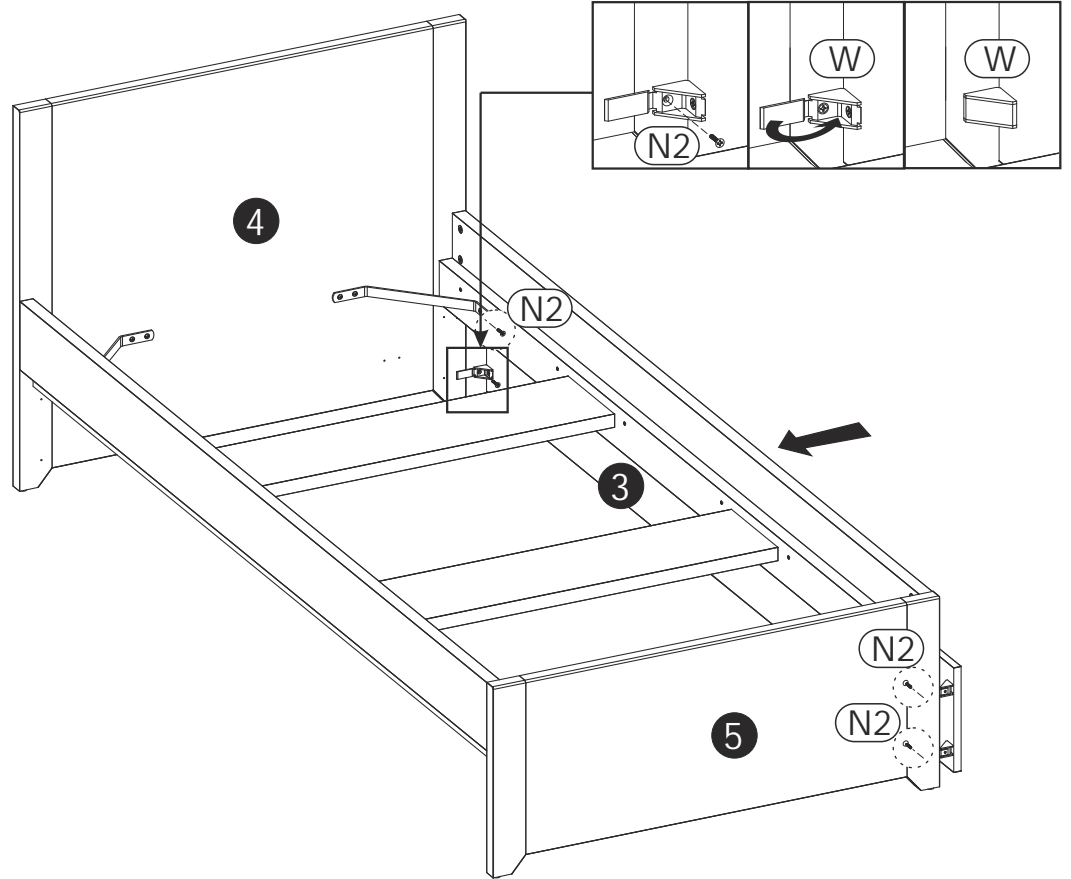
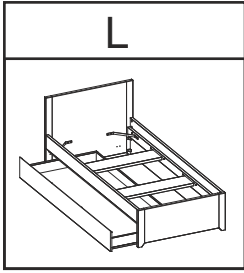
10 ▶



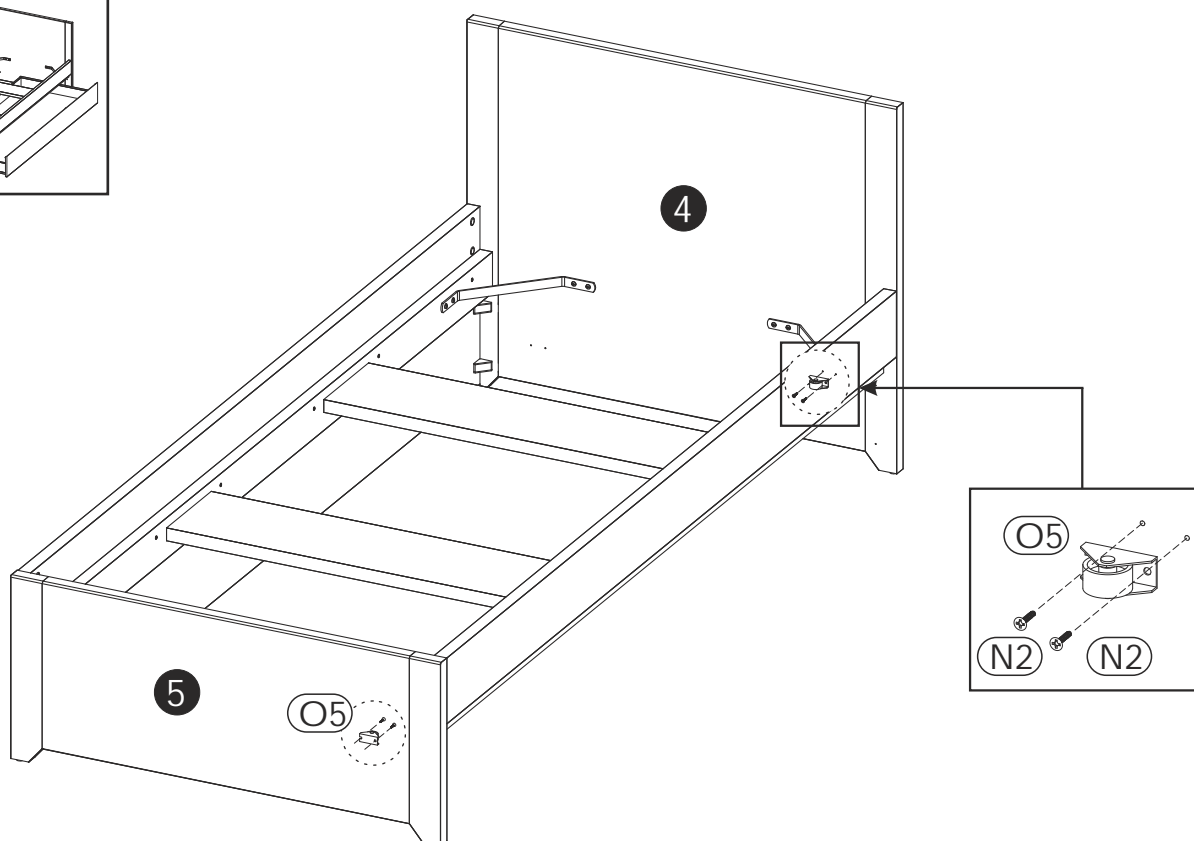
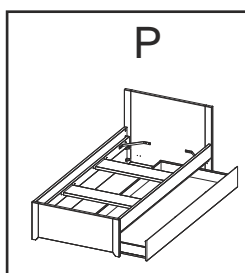
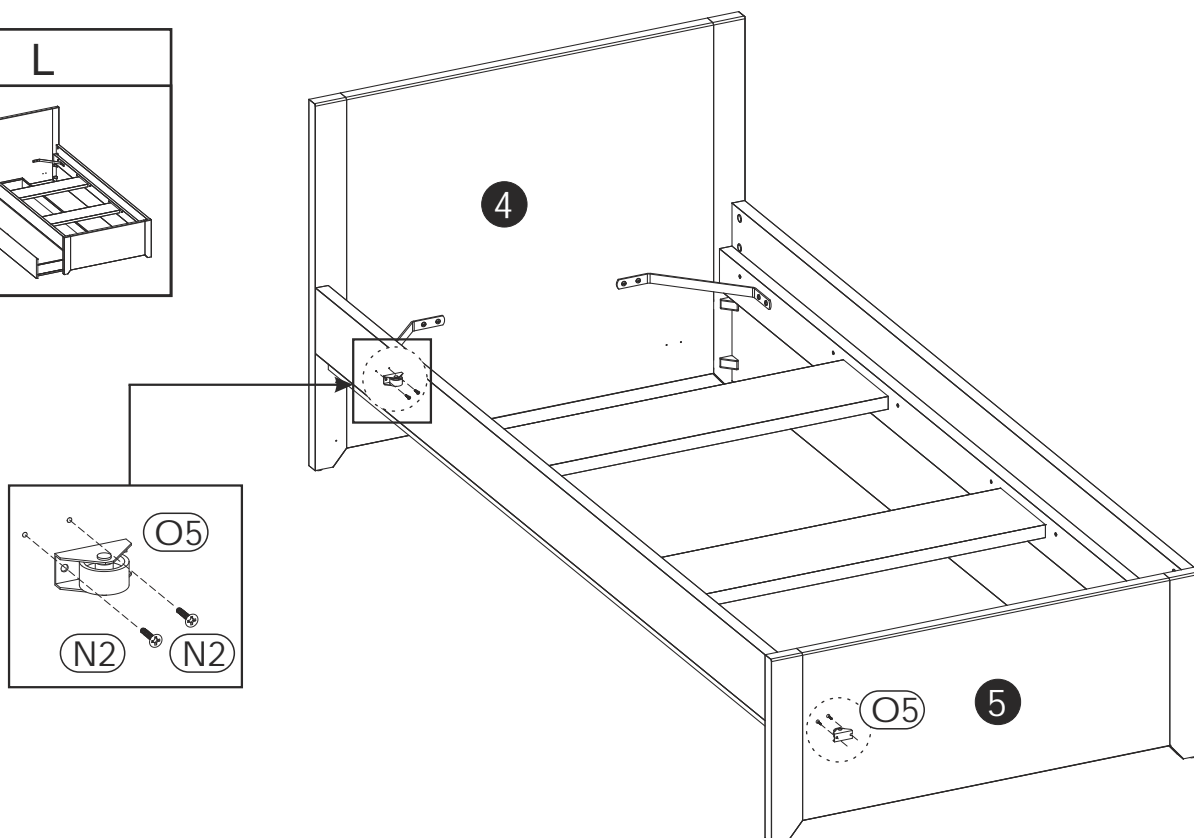
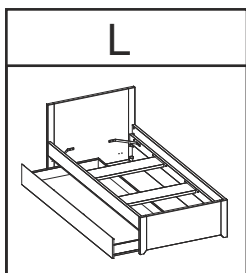
11 ▶



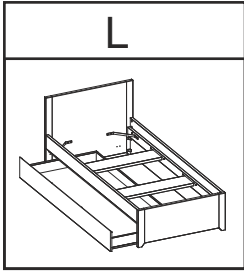
12 ▶



# 13 ▶



14▶



max.  
5 kg

